



GREAT KITCHENS. WE MAKE IT HAPPEN !

Catalogue 2016 - 2017 Asian Cooking Equipment



Q'son Kitchen Equipment Pte Ltd.

Blk 115A, Commonwealth Drive #01-27/28 Singapore 149596

Tel: (65) 6472 7337 | Fax: (65) 6472 6497

Email: sales@qson.com.sg

www.qson.com.sg

Environmental Cooking Ranges

- Kwali (Wok Range)

Chinese cuisine has more than 5000 years history, and it becomes one of the most popular cuisine in the world. There is no deny that Chinese food is like a "weapon" to open your appetite. What is the secret?

The truth is that the two fast Chinese Cooking Technique "Chao" and "Bao", which is described as **Stir-Frying**. Food can be cooked in a short period of time and the moisture can be locked inside the food itself, with high-power flame and hot wok, by means of heat and time control. Therefore, food can still remain its juicy and fresh tasty.



QGWR02







QGWR01

In order to produce such high-power flame, a **powerful cooking range** is required. Environmental Cooking Range provides low noise, more energy-saving and safer in operation.

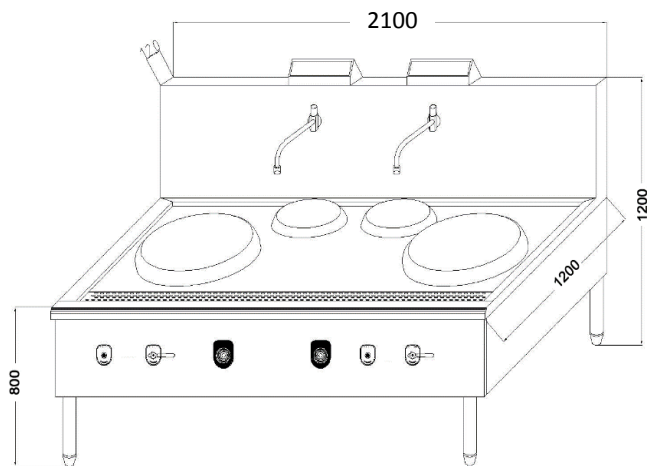
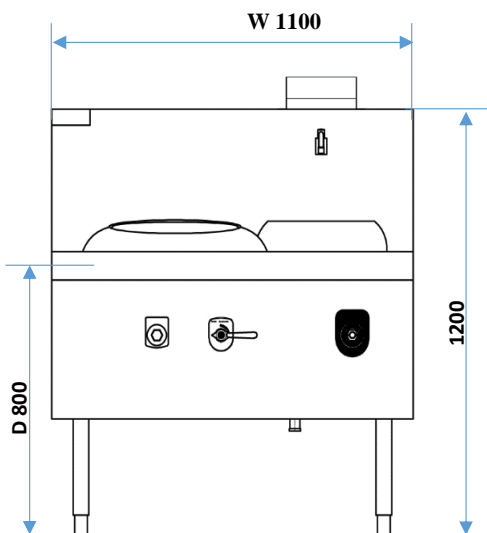
Features

1. AISI 304 stainless steel exterior body construction
2. Extruded seamless table top for longativity and hygiene
3. Pre-mix environmental and silent burner to reduce combustion noise & enhance efficiency
4. One-piece mold fire brick construction for durable usage
5. Electronic ignition for easy pilot lighting and convenient operation
6. Flame failure device system for optional
7. One-press design for air blower, flame failure system and ignition optional design
8. Individual air blower for each wok
9. Save up to 28% of gas consumption and reduces CO emission in the fume

Environmental Cooking Ranges	Power Source	Model	Dimension (WxDxH)	Power	Gas Type	Voltage
Single Kwali (Wok Range)		QGWR01	1100x1200x1200mm	40 kW	NG / LPG	220V/50Hz
Double Kwali (Wok Range)		QGWR02	2100x1200x1200mm	80 kW	NG / LPG	220V/50Hz
Single Chop Suey		QGCS01	800x900x1200mm	32 kW	NG / LPG	220V/50Hz
Double Chop Suey		QGCS02	1500x900x1200mm	64 kW	NG / LPG	220V/50Hz

Customized small size for some projects is available.

Reference Dimension:





QEGWR02A



QEGWR01A




ECO Wok Range

Gas Wok Range with rear pot & swing faucet

Features:

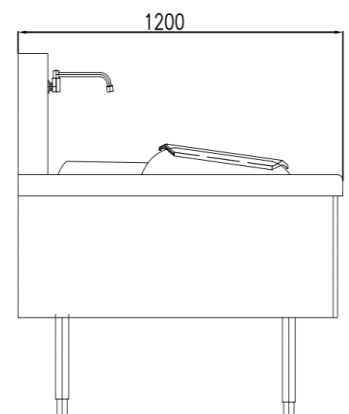
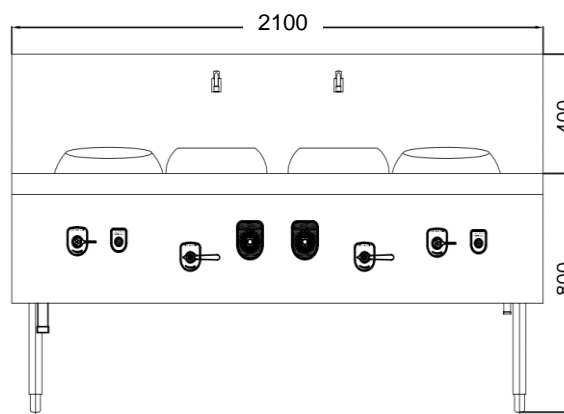
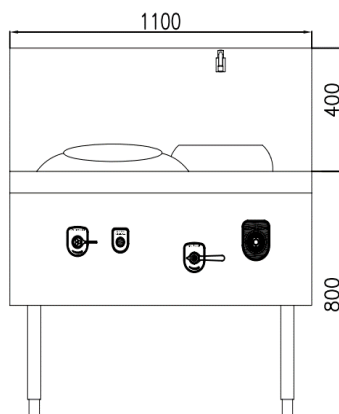
1. AISI 304 stainless steel construction
 - * Durability & longevity, easy to clean and keep clean
2. High efficiency & super quite air & gas pre-mixing ECO burner with flue discharge from the arc
 - * Heat insulation system surrounded burner chamber & underneath the cast iron ring, to keep the work top in very low temperature (almost the room temp)
3. Energy efficient, high performance ECO burner 30 kW (102300btu/hr)
 - * Fast heating up reduces waiting time with less gas consumption
4. Standard electronic ignition device with control in front panel, together with air blower switch, main gas valve & safety device all in one system
 - * Standard flame failure protection system & gas cut off protection when air blower malfunction
6. Electric connection with voltage 220~240V/1Ph/50Hz, air blower less than 68dB
7. Boiling 2 Lt of city water to 100°C in less 2 minutes, and 8 Lt less than 6 minutes
8. Ideal for batch cooking & Chinese show kitchen



ECO Wok Range Series	Model	Dimension (WxDxH)	Power	Fuel	QTY	Unit Price EXW Net	Note
Single ECO Gas Wok Range	 QEGWR01A	1100x1200x1200mm	30 kW	NG / LPG 220V/1N			φ390mm cast iron ring, for φ480 ~ φ530mm wok
Double ECO Gas Wok Range	 QEGWR02A	2100x1200x1200mm	60 kW	NG / LPG 220V/1N			
Single ECO Gas Wok Range	 QEGWR01B	1000x1200x1200mm	30 kW	NG / LPG 220V/1N			φ370mm cast iron ring, for φ430 ~ φ460mm wok
Double ECO Gas Wok Range	 QEGWR02B	1800x1200x1200mm	60 kW	NG / LPG 220V/1N			

Available customized small size for some projects.

Reference Dimension:



Environmental Cooking Ranges

- Steamer

Environmental Steamer takes a short time to pre-heat as well as continuously generate plenty of steam to steam Dim Sum / Rice Roll



QGSD02



QGSD01







Gas / Electric Environmental Steamer

Features

1. AISI 304 stainless steel exterior body construction
2. Extruded seamless table top for longativity and hygiene
3. Environmental and silent burner to reduce combustion noise & enhance efficiency
4. Electronic ignition for easy pilot lighting and convenient operation
5. Equipped with flame failure device system
6. Low water level protection (Automatically filling water when low ater level)
7. Save up to 25% of gas consumption and reduces CO emission in the fume
8. Power supply in Gas or Electric for optional

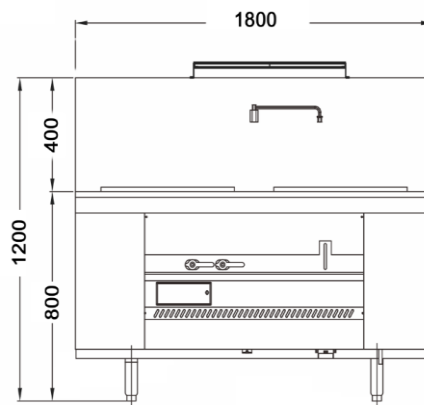
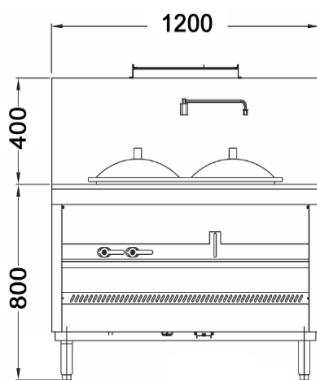
Optional Accessories



Environmental Steamer	Power Source	Model	Dimension (WxDxH)	Power	Gas Type	Voltage
ECO Gas Dim Sum Steamer (Single)		QGSD01	1000x1200x1200mm	30 kW	NG / LPG	220V/50Hz
ECO Gas Dim Sum Steamer (Double)		QGSD02	1800x1200x1200mm	60 kW	NG / LPG	220V/50Hz
ECO Gas Rice Roll Steamer		QGSRR	1200x1200x1200mm	35 kW	NG / LPG	220V/50Hz
Electric Dim Sum Steamer (Single)		QESD01	750x900x1200mm	36 kW	/	380V/3N/50Hz
Electric Dim Sum Steamer (Double)		QESD02	1500x900x1200mm	54 kW	/	380V/3N/50Hz
Electric Rice Roll Steamer		QESRR	1200x900x1200mm	27 kW	/	380V/3N/50Hz

Reference Dimension:

Customized small size for some projects is available.



Environmental Cooking Ranges

- Steam Cabinet

Environmental Steam Cabinet is specially designed for bulk steaming such as rice, buns, seafood or vegetables. It can be equipped with a S/S cart which can accommodate 20 grids 1/1 GN pans for providing quick food serving of restaurants, hotels, banquets and food processing features.

ECO Gas Rice Steam Cabinet

Features



1. AISI 304 stainless steel external body construction for longativity and hygiene
2. Environmental new steamer technology to reduce combustion noise & enhance efficiency
3. Electronic ignition for easy lighting and convenient operation
4. Equipped with flame failure device system
5. Low water level protection (Automatically filling water when low ater level)
6. Over heat / temperature protection
7. Save up to 25% of gas consumption and low CO emission, environmental and energy saving
8. Bulk cooking / rice cooking, steam generation in 3 mins



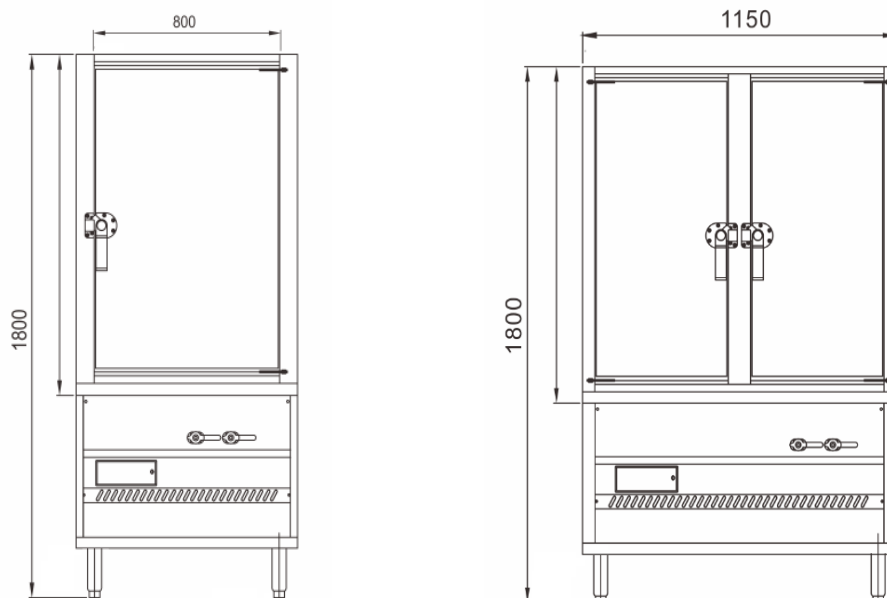
QGRS01



QGRS02

Environmental Steamer	Power Source	Model	Dimension (WxDxH)	Power	Gas Type	Voltage
Gas Rice Steam Cabinet (Single Door)		QGRS01	800x900x1800mm	30 kW	NG / LPG	220V/50Hz
Gas Rice Steam Cabinet (Double Door)		QGRS02	1150x900x1800mm	35 kW	NG / LPG	220V/50Hz

Reference Dimension:



Environmental Cooking Ranges

- Steam Cabinet

Environmental 3-Deck Steam Cabinet is specially designed for bulk steaming such as rice, buns, seafood or vegetables. All the steamers are equipped with flame failure device and water level detection device to ensure the safety of the equipments.



QGRS3DA

GN 1/1

Shelf Rack: 620*570*20mm



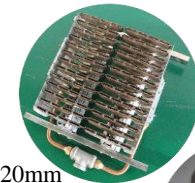
Boiler inside with Heat Exchange System



QGRS3DB

GN 2/1

Shelf Rack: 920*570*20mm



ECO Burner System





Boiler Heat Exchange System

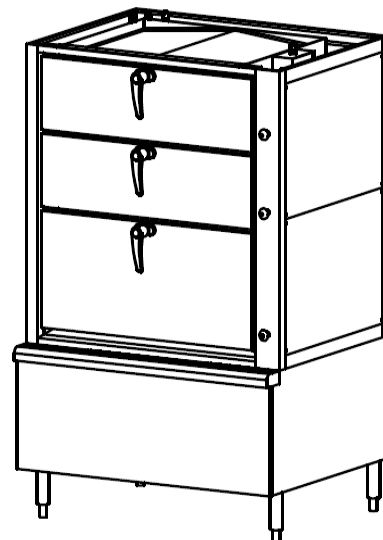
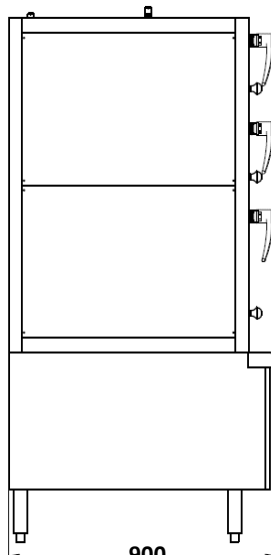
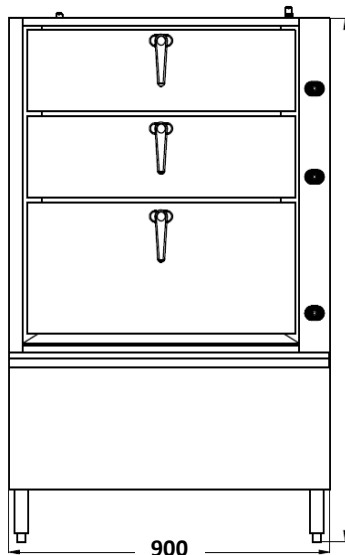
ECO 3-Deck Gas Steam Cabinet

Features

1. SUS 304 stainless steel external body construction for longativity and hygiene
2. Environmental new steamer technology to reduce combustion noise & enhance efficiency; Noise Degrees: 60dB
3. Electronic ignition for easy lighting and convenient operation
4. Ignition failure alarm device to keep safe in mind
5. Equipped with flame failure device system
6. Low water level protection (Automatically filling water when low water level)
7. Auto-Ignition after automatically filling water when low water level
8. Over heat / temperature protection
9. Save up to 25% of gas consumption and low CO emission, environmental and energy saving
10. Fast steam generating in 3 mins, 5 mins to cook a fish

ECO 3-Deck Steam Cabinet	Power Source	Model	Dimension (WxDxH)	Power	Gas Type	Voltage
3-Deck ECO Gas Steam Cabinet		QGRS3DA	900x900x1900mm	30 kW	NG / LPG	220V/50Hz
3-Deck ECO Gas Steam Cabinet		QGRS3DB	1200x900x1900mm	35 kW	NG / LPG	220V/50Hz

Reference Dimension:



Environmental Cooking Ranges

- Steam Cabinet

Environmental Roll-in Steam Cabinet is specially designed for bulk steaming such as rice, buns, seafood or vegetables. It can be equipped with a S/S cart which can accommodate 20 grids 1/1 GN pans & 40 grids 2/1 GN for providing quick food serving of restaurants, hotels, banquets and food processing features.

Roll-in Steam Cabinet

Features





1. AISI 304 stainless steel external body construction, durable and easy cleaning, meet the highest hygiene request
2. Environmental new steamer technology to reduce combustion noise & enhance efficiency
3. Computer control panel for convenient operation
4. With timing and temperature setting function on the panel
5. One button electronic ignition for easy lighting
6. Equipped with flame failure device system
7. Low water level protection (Automatically filling water when low ater level)
8. One button auto drainage
9. Over heat / temperature protection
10. Save up to 25% of gas consumption and low CO emission, environmental and energy saving

20 pans GN 1/1 H40 2~2.5 kg/pan

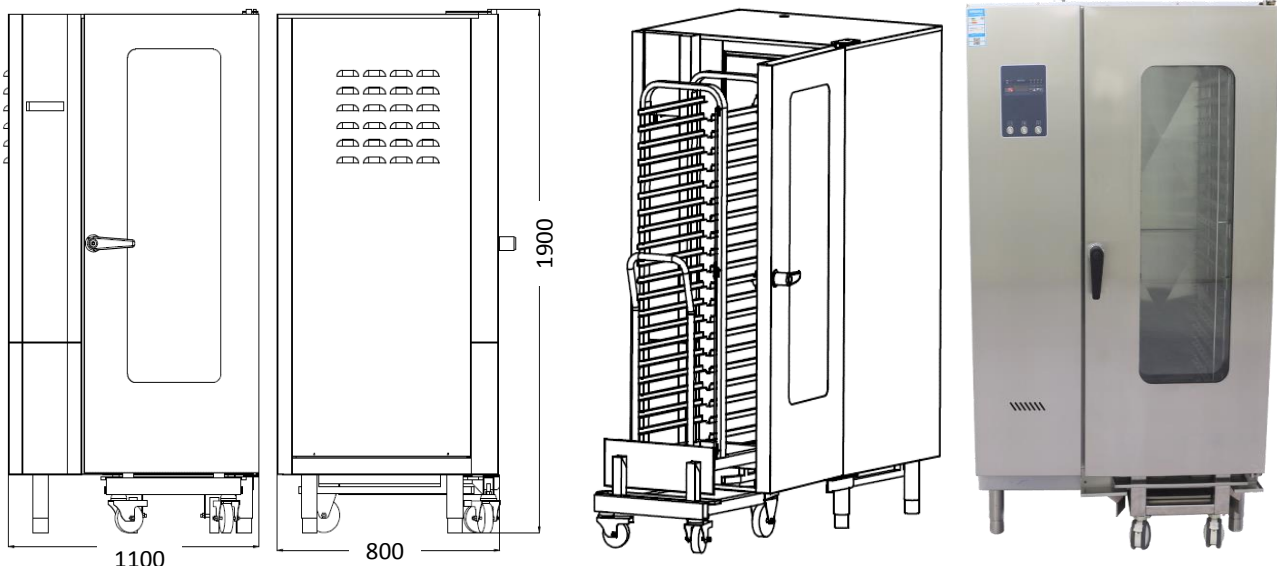
16 pans GN 1/1 H65 3~3.5 kg/pan

8 pans GN 1/1 H100



Environmental Steamer	Power Source	Model	Dimension (WxDxH)	Power	Gas Type	Voltage
20-Grid Gas Roll-in Steam Cabinet		QGRIS20	1100x800x1900mm	27 kW	NG / LPG	220V/50Hz
20-Grid Electric Roll-in Steam Cabinet		QERIS20	1100x800x1900mm	21 kW	/	380V/3N/50Hz
40-Grid Gas Roll-in Steam Cabinet		QGRIS40	1300x920x1900mm	31 kW	NG / LPG	220V/50Hz
40-Grid Electric Roll-in Steam Cabinet		QERIS40	1300x920x1900mm	31 kW	/	380V/3N/50Hz

Reference Dimension:



Open Burner Ranges & Stock Pot Stove



QOGR04








QSPGS01

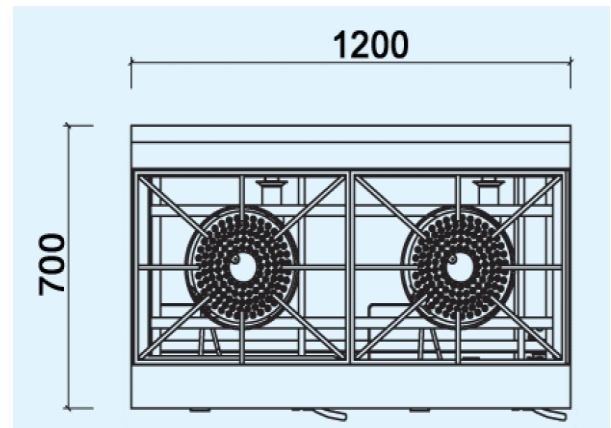
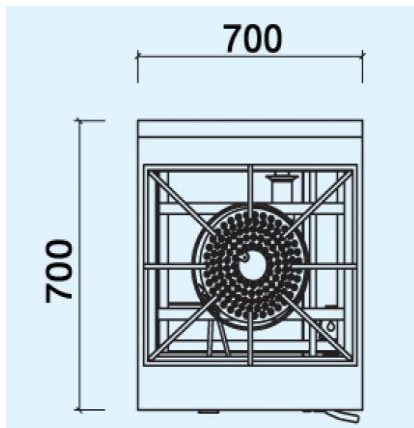


QSPGS03

Flame failure system (Safety Valve device) and electric ignition optional design are Available as request

Gas Cooking Ranges	Power Source	Model	Dimension (WxDxH)	Power	Gas Type	Voltage
Open Burner Gas Range (4 burners)		QOGR04	600x780x950mm	18 kW	NG / LPG	/
Open Burner Gas Range (6 burners)		QOGR06	900x780x950mm	27 kW	NG / LPG	/
Stock Pot Stove (1 burner)		QSPGS01	700x700x950mm	10 kW	NG / LPG	/
Stock Pot Stove (2 burner)		QSPGS02	1200x700x950mm	20 kW	NG / LPG	/
Stock Pot Stove (3 burner)		QSPGS03	1800x700x950mm	30 kW	NG / LPG	/

Reference Dimension:



Gas Duck Roaster & Pig Roaster



QGDRA



QGPRC

Features

New Concept

Heat Radiant Roast Concept

Energy Saving

Equipped with powerful burner and heat radiant panel that need only 5 minutes to heat up and ready to use. 300% shorter in heat-up time than traditional roasters.

High Efficiency

Even heat distribution of roaster surface provides better quality of roasting. Detachable lava rock stand with rocks that retain the remained heat after flame cut off to dry up duck/ chicken skin.

Hygiene

Removable panel can easily be cleaned.

Safety

Built-in Flame Failure Device to ensure safe operation for optional. Front protection panel to keep away operators from hot surface of the roaster body.




Flexibility

Height adjustment of the heat radiant panel provides flexibility for applying different gas fuels.

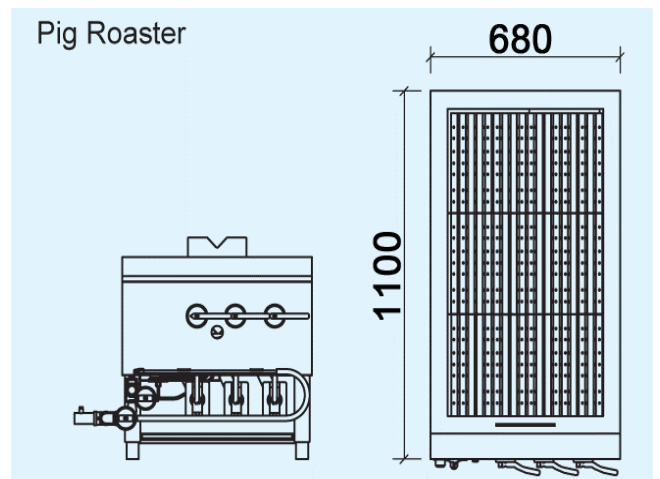
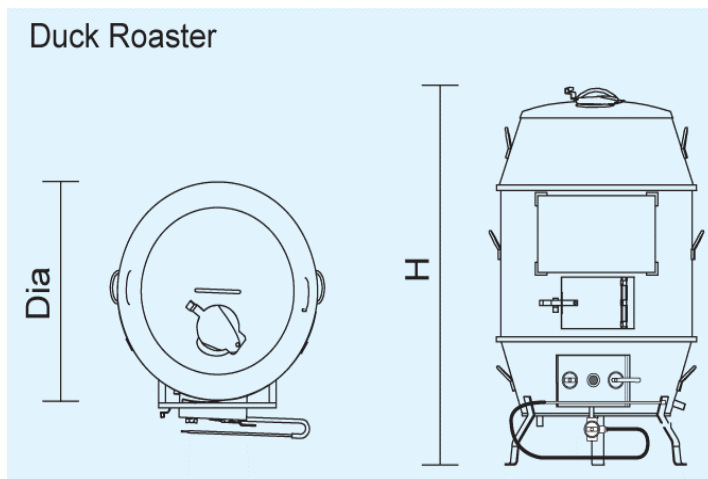
Durability

High quality stainless steel panel provides a longer life span.

Lava rock stone option is Available for Pig Roaster

Gas Roaster	Power Source	Model	Dimension (WxDxH)	Power	Gas Type	Note
Duck Roaster		QGDRA	φ810x1500mm	16 kW	NG / LPG	
Duck Roaster		QGDRB	φ910x1500mm	16 kW	NG / LPG	
Pig Roaster		QGPRC	680x1100x600mm	50 kW	NG / LPG	

Reference Dimension:



Professional Disinfection Cabinet - UV Knife Sterilizer





QTD-400

Professional Knife Steriliser offers a safe and effective way of ensuring knife and utensils are thoroughly sanitised during and after use. The unit has a stainless steel cabinet that contains special UV light which can kill 99.9% of harmful bacteria. It is constructed with tinted transparent doors, angled top, safety switch and can be locked to ensure knives are safely stored.

Features

1. AISI 304 stainless steel construction
2. Transparent plexi-glass door with a magnetic closing or key lock
3. UV light
4. Timer control (0 ~ 120 mins)
5. Removable knife rack holder
6. Wall mountable
7. Lockable door
8. Door mounted safety switch

Capacity: 7 knives plus 2 sharpener

Disinfection Cabinet	Power Source	Model	Dimension (WxDxH)	Power	Voltage
UV Knife Sterilizer		QTD-400	400x148x620mm	16 W	220~240V, 1N, 50/60Hz
UV Knife Sterilizer		QTD-800	800x148x620mm	32 W	220~240V, 1N, 50/60Hz

Reference Dimension:

